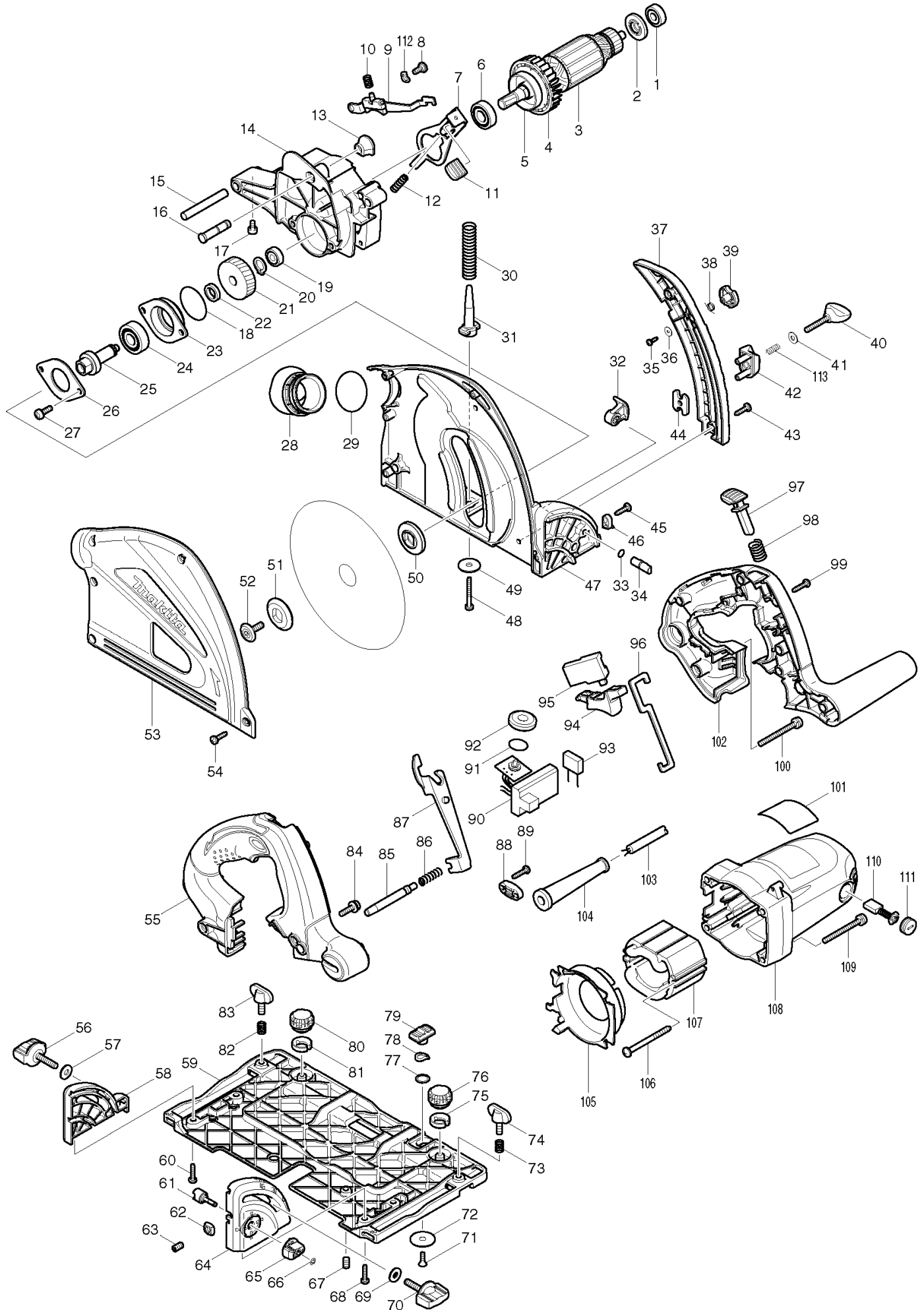


Nr.	Art nr.	Namn
1	210013-5	BALL BEARING 698VV
2	681634-4	INSULATION WASHER
3	513678-5	ARMATURE ASS'Y 220-240V
6	211131-2	BALL BEARING 6001DDW
7	345742-2	SHAFT LOCK
8	265011-4	+ BINDING HEAD SCREW M5
9	158096-6	SHOE COMPLETE
10	233480-7	COMPRESSION SPRING 7
11	286275-7	CAP
12	233084-5	COMPRESSION SPRING 6
13	286278-1	CAP
14	158092-4	GEAR HOUSING COMPLETE
15	324716-6	PIN 8
16	324708-5	STOPPER PIN 8
17	265913-4	HEX. SOCKET HEAD BOLT M5X8
18	213512-6	O RING 39
19	211021-9	BALL BEARING 607LLB
20	961052-5	RETAINING RING S-12
21	226637-7	HELICAL GEAR 39
22	257010-0	RING 12
23	318088-9	BEARING BOX
24	211129-9	BALL BEARING 6201DDW
25	324707-7	SPINDLE
26	285689-7	BEARING RETAINER 55
27	911221-8	PAN HEAD SCREW M5X16
28	419620-3	DUST NOZZLE
29	213460-9	O RING 35
30	233479-2	COMPRESSION SPRING 11
31	419624-5	SPRING HOLDER
32	158095-8	LEVER 20 COMPLETE
33	213021-5	O RING 5
34	324710-8	PIN 8
35	266007-8	TAPPING SCREW BIND PT 3X10
36	253821-1	FLAT WASHER 3
37	419625-3	DEPTH GUIDE
38	231665-9	TORSION SPRING 7
39	419630-0	LOCK LEVER
40	251867-1	SCREW M5X30
41	941101-4	FLAT WASHER 5
42	419623-7	STOPPER BLOCK
43	266034-5	TAPPING SCREW CT 4X16
44	345744-8	NUT PLATE
45	266034-5	TAPPING SCREW CT 4X16
46	419632-6	POSITION PLATE
47	158547-9	BLADE CASE COMPLETE
48	266053-1	TAPPING SCREW 4X35
49	253010-8	FLAT WASHER 6
50	224406-0	INNER FLANGE 35

51	224405-2	OUTER FLANGE 35
52	266403-0	HEX. SOCKET HEAD BOLT M6
53	318084-7	BLADE CASE COVER
54	266034-5	TAPPING SCREW CT 4X16
55	188197-6	HANDLE SET
56	265776-8	THUMB SCREW M6X26
57	253111-2	FLAT WASHER 6
58	419596-4	REAR ANGULAR GUIDE
59	318179-6	BASE
60	265995-6	TAPPING SCREW 4X18
61	324731-0	STOPPER PIN
62	252157-5	SQUARE NUT M6
63	266085-8	H.S.SET SCREW(FLAT POINT)M6X10
64	419595-6	FRONT ANGULAR GUIDE
65	419571-0	DIAL 22
66	961017-7	STOP RING E-3
67	266085-8	H.S.SET SCREW(FLAT POINT)M6X10
68	265995-6	TAPPING SCREW 4X18
69	253111-2	FLAT WASHER 6
70	265776-8	THUMB SCREW M6X26
71	912112-6	COUNTERSUNK HEAD SCREW M4X10
72	345748-0	LOCK WASHER
73	231316-4	COMPRESSION SPRING 7
74	265701-9	SCREW M6X14
75	419627-9	HOLDER
76	265775-0	THUMB SCREW M4X3
77	345977-5	PLATE
78	253932-2	WAVE WASHER 10
79	419621-1	SLIDE LEVER
80	265775-0	THUMB SCREW M4X3
81	419627-9	HOLDER
82	231316-4	COMPRESSION SPRING 7
83	265701-9	SCREW M6X14
84	922232-8	HEX. SOCKET HEAD BOLT M5X20
85	324709-3	LOCK PIN 8
86	233267-7	COMPRESSION SPRING 7
87	419631-8	LOCK PLATE
88	687052-4	STRAIN RELIEF
89	265995-6	TAPPING SCREW 4X18
90	631729-3	CONTROLLER
91	213261-5	O RING 17
92	418905-4	DIAL
93	645185-1	NOISE SUPPRESSOR
94	419622-9	SWITCH LEVER
95	651922-3	SWITCH TG71B
96	345745-6	LINK PLATE
97	419629-5	LOCK OFF BUTTON
98	233089-5	COMPRESSION SPRING 12
99	265995-6	TAPPING SCREW 4X18

100	911273-9	PAN HEAD SCREW M5X50
101	862913-1	SP6000 NAME PLATE
102	188197-6	HANDLE SET
103	665890-4	POWER SUPPLY CORD 1.0-2-4.0
104	682540-6	CORD GUARD 9.3-90
105	419626-1	BAFFLE PLATE
106	266044-2	TAPPING SCREW 5X60
107	525743-8	FIELD ASS'Y 220-240V
108	158094-0	MOTOR HOUSING COMPLETE
109	911273-9	PAN HEAD SCREW M5X50
110	191963-2	Hillet CB-303
111	643750-0	BRUSH HOLDER CAP
112	267781-1	WAVE WASHER 7
113	231372-4	COMPRESSION SPRING 5



Nr.	Art nr.	Namn
1	210013-5	BALL BEARING 698VV
2	681634-4	INSULATION WASHER
3	513678-5	ARMATURE ASS'Y 220-240V
6	211131-2	BALL BEARING 6001DDW
7	345742-2	SHAFT LOCK
8	265011-4	+ BINDING HEAD SCREW M5
9	158096-6	SHOE COMPLETE
10	233480-7	COMPRESSION SPRING 7
11	286275-7	CAP
12	233084-5	COMPRESSION SPRING 6
13	286278-1	CAP
14	158092-4	GEAR HOUSING COMPLETE
15	324716-6	PIN 8
16	324708-5	STOPPER PIN 8
17	265913-4	HEX. SOCKET HEAD BOLT M5X8
18	213512-6	O RING 39
19	211021-9	BALL BEARING 607LLB
20	961052-5	RETAINING RING S-12
21	226637-7	HELICAL GEAR 39
22	257010-0	RING 12
23	318088-9	BEARING BOX
24	211129-9	BALL BEARING 6201DDW
25	324707-7	SPINDLE
26	285689-7	BEARING RETAINER 55
27	911221-8	PAN HEAD SCREW M5X16
28	419620-3	DUST NOZZLE
29	213460-9	O RING 35
30	233479-2	COMPRESSION SPRING 11
31	419624-5	SPRING HOLDER
32	158095-8	LEVER 20 COMPLETE
33	213021-5	O RING 5
34	324710-8	PIN 8
35	266007-8	TAPPING SCREW BIND PT 3X10
36	253821-1	FLAT WASHER 3
37	419625-3	DEPTH GUIDE
38	231665-9	TORSION SPRING 7
39	419630-0	LOCK LEVER
40	251867-1	SCREW M5X30
41	941101-4	FLAT WASHER 5
42	419623-7	STOPPER BLOCK
43	266034-5	TAPPING SCREW CT 4X16
44	345744-8	NUT PLATE
45	266034-5	TAPPING SCREW CT 4X16
46	419632-6	POSITION PLATE
47	158547-9	BLADE CASE COMPLETE
48	266053-1	TAPPING SCREW 4X35
49	253010-8	FLAT WASHER 6
50	224406-0	INNER FLANGE 35

51	224405-2	OUTER FLANGE 35
52	266403-0	HEX. SOCKET HEAD BOLT M6
53	318084-7	BLADE CASE COVER
54	266034-5	TAPPING SCREW CT 4X16
55	188197-6	HANDLE SET
56	265776-8	THUMB SCREW M6X26
57	253111-2	FLAT WASHER 6
58	419596-4	REAR ANGULAR GUIDE
59	318179-6	BASE
60	265995-6	TAPPING SCREW 4X18
61	324731-0	STOPPER PIN
62	252157-5	SQUARE NUT M6
63	266085-8	H.S.SET SCREW(FLAT POINT)M6X10
64	419595-6	FRONT ANGULAR GUIDE
65	419571-0	DIAL 22
66	961017-7	STOP RING E-3
67	266085-8	H.S.SET SCREW(FLAT POINT)M6X10
68	265995-6	TAPPING SCREW 4X18
69	253111-2	FLAT WASHER 6
70	265776-8	THUMB SCREW M6X26
71	912112-6	COUNTERSUNK HEAD SCREW M4X10
72	345748-0	LOCK WASHER
73	231316-4	COMPRESSION SPRING 7
74	265701-9	SCREW M6X14
75	419627-9	HOLDER
76	265775-0	THUMB SCREW M4X3
77	345977-5	PLATE
78	253932-2	WAVE WASHER 10
79	419621-1	SLIDE LEVER
80	265775-0	THUMB SCREW M4X3
81	419627-9	HOLDER
82	231316-4	COMPRESSION SPRING 7
83	265701-9	SCREW M6X14
84	922232-8	HEX. SOCKET HEAD BOLT M5X20
85	324709-3	LOCK PIN 8
86	233267-7	COMPRESSION SPRING 7
87	419631-8	LOCK PLATE
88	687052-4	STRAIN RELIEF
89	265995-6	TAPPING SCREW 4X18
90	631729-3	CONTROLLER
91	213261-5	O RING 17
92	418905-4	DIAL
93	645185-1	NOISE SUPPRESSOR
94	419622-9	SWITCH LEVER
95	651922-3	SWITCH TG71B
96	345745-6	LINK PLATE
97	419629-5	LOCK OFF BUTTON
98	233089-5	COMPRESSION SPRING 12
99	265995-6	TAPPING SCREW 4X18

100	911273-9	PAN HEAD SCREW M5X50
101	862913-1	SP6000 NAME PLATE
102	188197-6	HANDLE SET
103	665890-4	POWER SUPPLY CORD 1.0-2-4.0
104	682540-6	CORD GUARD 9.3-90
105	419626-1	BAFFLE PLATE
106	266044-2	TAPPING SCREW 5X60
107	525743-8	FIELD ASS'Y 220-240V
108	158094-0	MOTOR HOUSING COMPLETE
109	911273-9	PAN HEAD SCREW M5X50
110	191963-2	Hillet CB-303
111	643750-0	BRUSH HOLDER CAP
112	267781-1	WAVE WASHER 7
113	231372-4	COMPRESSION SPRING 5